



# COOK

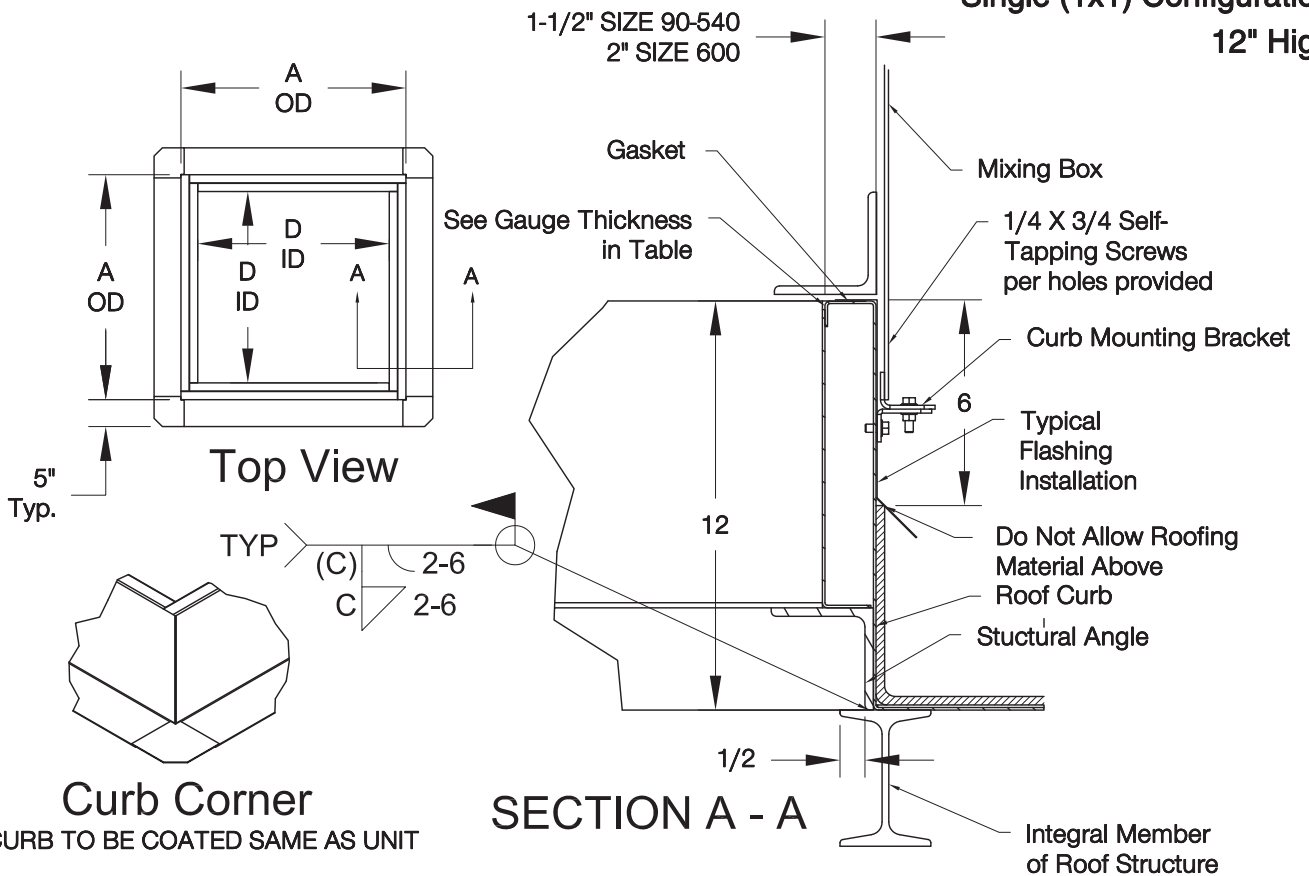
# LECQ

DATE: \_\_\_\_\_

PROJECT: \_\_\_\_\_

LOCATION: \_\_\_\_\_

**Accessory Data Sheet**  
**Coated Steel Lab Exhauster Curb**  
**QMXLE, QMXLE-HP**  
**QMXVP, QMXVP-HP**  
**Single (1x1) Configuration**  
**12" High**

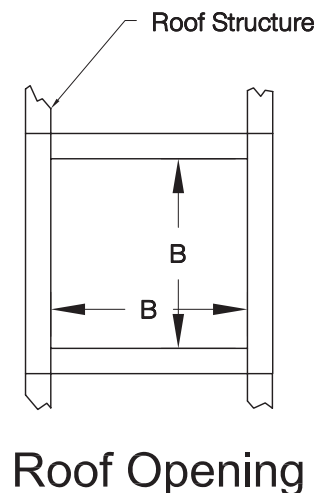


\*CURB TO BE COATED SAME AS UNIT

**DIMENSION DATA**

Size	A	B	C	D	Gauge Thickness	Approx. Ship Wt.
90	27-3/16	25-1/2	1/4	21	12	172
120	27-3/16	25-1/2	1/4	21	12	172
135	27-1/8	25-7/16	1/4	20-15/16	12	171
150	29-1/8	27-7/16	1/4	22-15/16	12	184
165	31-1/8	29-7/16	1/4	24-15/16	12	196
180	33-1/8	31-7/16	1/4	26-15/16	12	209
202	36-15/16	35-1/4	1/4	30-3/4	12	233
225	40-15/16	39-1/4	1/4	34-3/4	12	258
245	42-15/16	41-1/4	1/4	36-3/4	12	270
270	46-15/16	45-1/4	1/4	40-3/4	12	296
300	50-15/16	49-1/4	1/4	44-3/4	12	320
330	54-13/16	53-1/8	1/4	48-5/8	12	345
365	60-3/4	59-1/16	1/4	54-9/16	12	383
402	65-5/8	63-15/16	1/4	59-7/16	12	412
445	72-5/8	70-15/16	1/4	66-7/16	12	456
490	78-1/2	76-1/2	3/8	72-1/4	10	657
540	85-3/8	83-3/8	3/8	79-1/8	10	714
600	94-3/8	92-1/4	3/8	88	7	976

ALL DIMENSIONS IN INCHES. WEIGHTS IN LBS.,



X0161R02